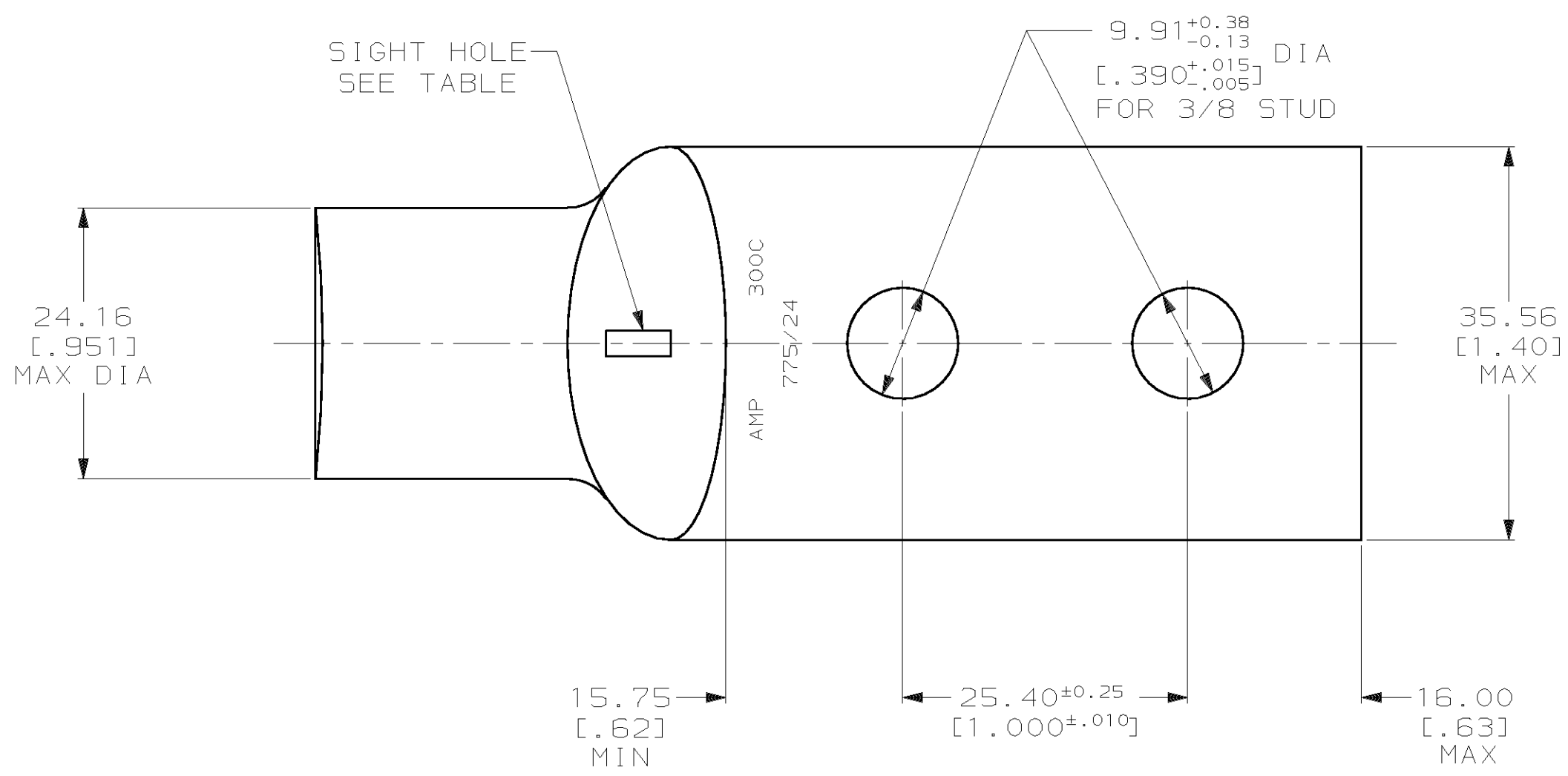
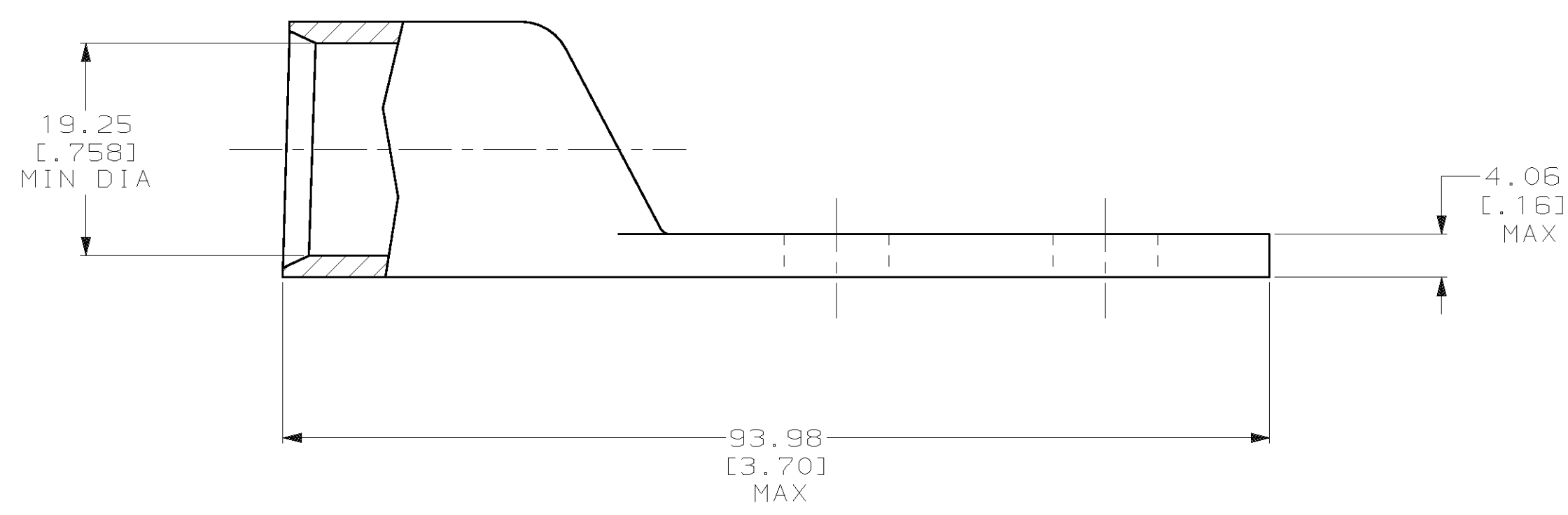


THIS DRAWING IS UNPUBLISHED. RELEASED FOR PUBLICATION, 19 .  
 © COPYRIGHT 19 BY AMP INCORPORATED. ALL INTERNATIONAL RIGHTS RESERVED.

LOC		DIST		REVISIONS				DATE	APPD
ZONE	LTR	DESCRIPTION		DATE	APPD				
G	86	P	F	U	REV PER 0G3A-0561-01	09OCT02	JR		



1 CIRCULAR MIL AREA RANGE: 275-325 MCM  
 2 TIN PL 0.00381 [0.000150] MIN THK PER MIL-T-10727



**METRIC**

DO NOT SCALE PRINT. UNLESS SPECIFIED DIMENSIONS IN mm [INCHES] TOLERANCES ON : 2 PLC DEC ± 0.51 [0.020] 3 PLC DEC ± - ANGLES ± -		DR 02/28/90 DK SCHRUM	NONE 326805-1	
MATERIAL ANNEALED COPPER ASTM B-188	CHK 23JAN95 MS FEHER	APPD 23JAN95 WJ VOCKROTH	REQUIRED 326805	
FINISH △	PRODUCT SPEC 108-30200	APPD 23JAN95 TL SHUTTER	SIGHT HOLE PART NO	
APPLICATION SPEC -		WEIGHT .215 LB	AMP INCORPORATED Harrisburg, Pa. 17105	
NAME TERMINAL, AMPPOWER, WIRE SIZE: 300 MCM		SIZE C	CAGE CODE 00779	DRAWING NO 326805
		SCALE 2:1	SHEET 1 OF 1	